

GPH3 & GPH4 Alarm Horn - Buzzer

The GPH series are low profile, high output, 110dB(A) alarm horns designed as a maintenance free, reliable alternative to solenoid type devices. Featuring a realistic simulated buzzer sound the GPH, with its low current consumption and high SPL in a robust, fire retardant housing, is suitable for all general signalling applications.

The GPH3 is a surface mount version with back box, the GPH4 is a flush mount variant for use in panel mount applications or for use with standard 4" back boxes

Features

- Automatic synchronisation on multi-sounder system.
- Continuously rated.
- Stainless steel fixings.
- Duplicate cable terminations (in & out for daisy-chain installations).

Approvals

- UL & cULs approved: General signalling use.



Specification

Nominal output:	110dB(A) @ 1m +/- 3dB [101dB(A) @ 10ft/3m]
No. of tones:	3
Stage switching:	DC voltage via negative AC voltage via live supply
Volume control:	On board potentiometer
Voltages DC:	10-30V dc/ac
Voltages AC:	40-260V dc/ac
Ingress protection:	GPH3: IP66 (UL Type 4/4X/13) GPH4: IP54 (UL Type 13/3R)
Housing material:	High impact UL94 V0 (f1) PC
Colour:	Grey (RAL7038)
Cable entries:	2 x M20 clearance
Terminals:	22 - 12AWG (0.5-3mm ²)
Operating temp:	-25 to +55°C [-13° to +131°F]
Storage temp:	-40 to +70°C [-40° to +158°F]
Relative humidity:	90% at 20°C [68°F]
Weight:	0.40kg/0.88lbs
*SPL data +/-3dB(A). Measured at optimum voltage	

Part Codes

Version Part code:

GPH3S surface mount:

10-30V dc/ac	GPH3SEDC024G
40-260V dc/ac	GPH3SEAC230G

GPH4F flush mount:

10-30V dc/ac	GPH4FEDC024G
40-260V dc/ac	GPH4FEAC230G

Current Consumption

Version:	Voltage:	Current :
10-30V dc/ac	12V dc	52mA
10-30V dc/ac	24V dc	105mA
40-260V dc/ac	48V dc	42mA
10-30V dc/ac	12V ac 50/60Hz	115mA
10-30V dc/ac	24V ac 50Hz	215mA
40-260V dc/ac	48V ac 50/60Hz	68mA
40-260V dc/ac	115V dc	16mA
40-260V dc/ac	230V dc	8mA
40-260V dc/ac	115V ac 50/60Hz	36mA
40-260V dc/ac	230V ac 50/60Hz	18mA

Tone table

S 1	Description	S 2
T 1	Electro-mechanical diaphragm horn sound	T 2
T 2	1200/500Hz @ 1Hz - DIN / PFEER P.T.A.P.	T 1
T 3	800/1000Hz @ 7Hz Sweeping	T 2

- 110 dB(A) @ 1m ± 3dB
- 3 Tones
- GPH3: UL Type 4/4X/13/3R IP66
- GPH4: UL Type 13/3R IP54
- -25°C à +55°C (-13F à +131°F)

Catalog Number	Input Voltage	Input Current	Max. Input Volts
GPH3SDC24G GPH4FDC24G	10-30V DC	52mA @ 12V DC 105mA @ 24V DC	30V DC
GPH3SAC230G GPH4FAC230G	40-260V AC/DC 50/60Hz	42mA @ 48V DC 68mA @ 48V AC 16mA @ 120V DC 8mA @ 230V DC 36mA @ 120V AC 18mA @ 230V AC	260V AC/DC



ATTENTION: Disconnect from power source to prevent electrical shock before installing or servicing. Check power supply voltage and frequency.

ATTENTION: Déconnecter l'alimentation avant toute opération d'installation ou de maintenance, afin d'éviter les décharges électriques. Contrôler la tension et la fréquence d'alimentation.

ACHTUNG: Schalten Sie den Strom während der Installation oder bei Wartungsarbeiten ab um einen elektrischen Schlag zu vermeiden. Prüfen Sie die Spannung und Frequenz der Stromquelle.

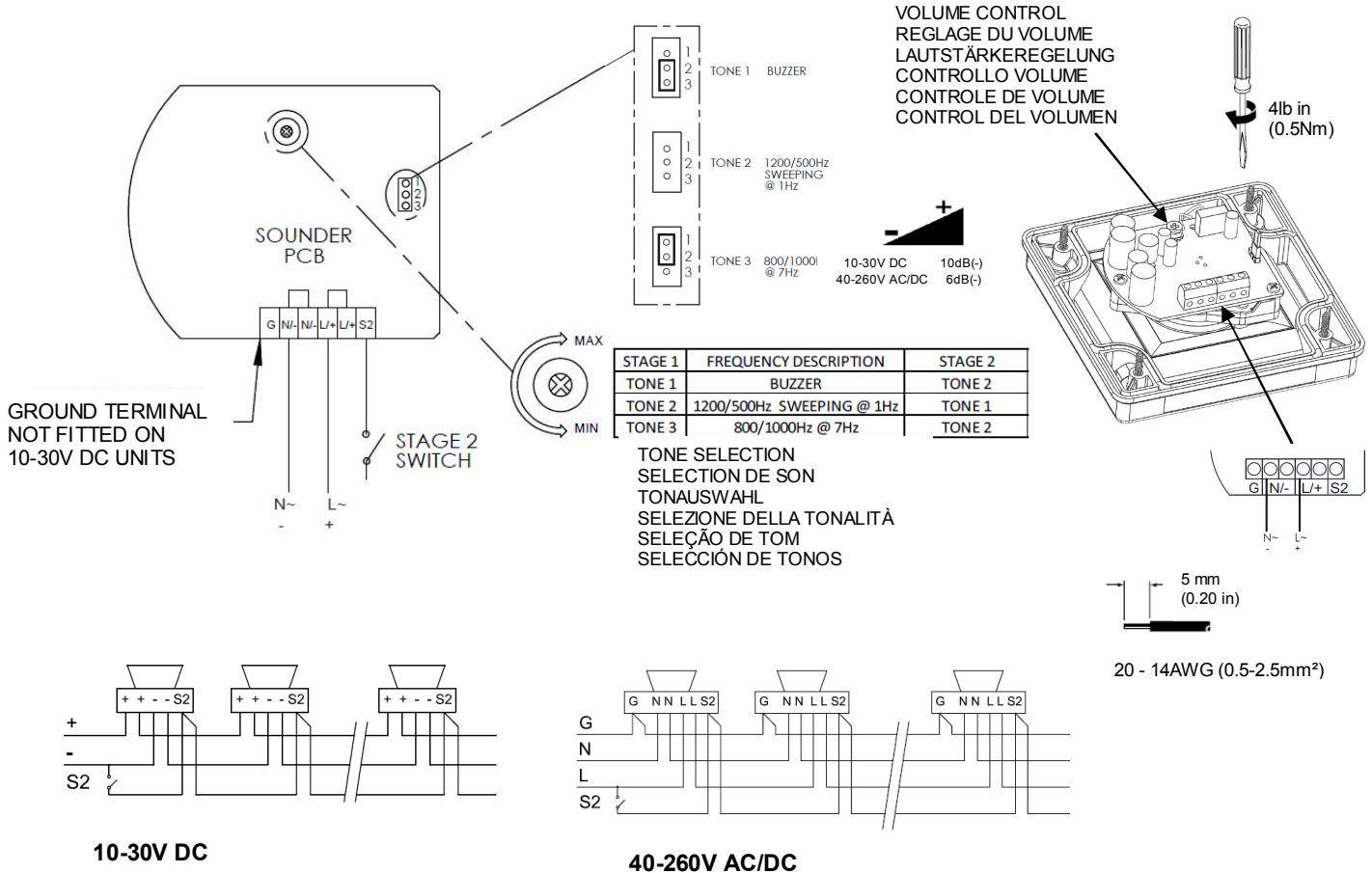
ATTENZIONE: Scollegare dall'alimentazione prima dell'installazione e della messa in servizio. Controllare la tensione di alimentazione e la frequenza.

ATENÇÃO: Desligar a alimentação antes de realizar qualquer intervenção. Verificar a tensão e frequência da alimentação.

ATENCIÓN: Durante el proceso de instalación o mantenimiento desconectar la tensión de alimentación para evitar descargas eléctricas. Comprobar tensión y frecuencia de alimentación.

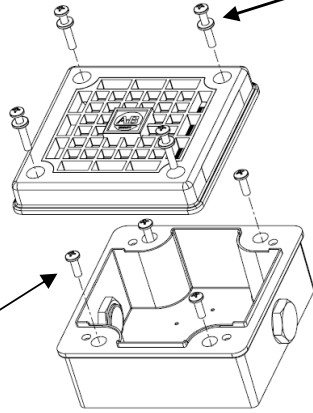
Electrical Connection
Raccordement Electrique
Elektrischer Anschluß
Collegamento Elettrico
Ligações Eléctricas
Conexiones Eléctricas

Wiring practices must meet applicable electrical codes.
 Les procédures de câblage doivent répondre aux codes électriques en vigueur.
 Bei der Verdrahtung sind die geltenden elektrotechnischen Sicherheitsvorschriften zu befolgen.
 Le procedure adottate per i cavi devono rispettare le codifiche elettriche applicabili.
 A instalação da fiação deve atender aos códigos elétricos aplicáveis.
 Las prácticas de instalación eléctrica deben seguir los códigos eléctricos.



**Installation
Installation
Installation
Instalazione
Instalação
Instalación**

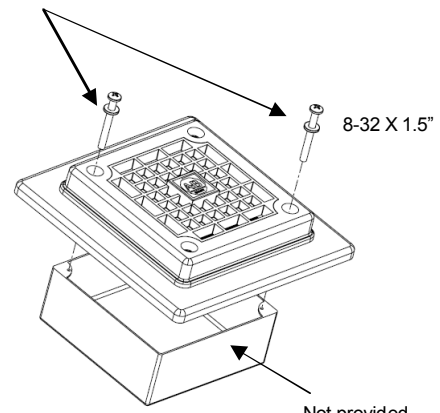
4lb in
(0.5Nm)



GPH3 (Surface)

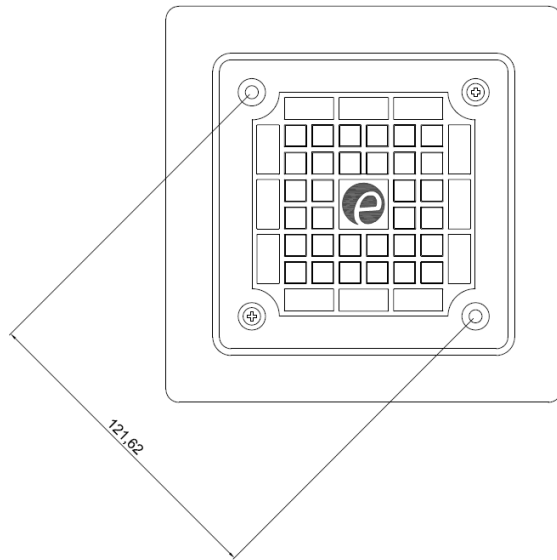
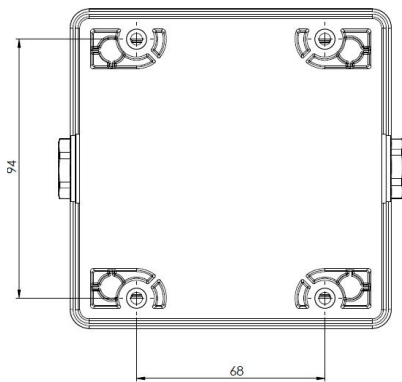
Mounting screws not provided
Vis de montage non fournis.
Befestigungsschrauben sind im Lieferumfang nicht enthalten.
Viti di montaggio non incluse.
Parafusos para montagem não são fornecidos.
No se incluyen los tornillos de montaje.

Seal Washers
Rondelles d'étanchéité
Dichtungsscheiben
Rondelle di tenuta
Arruelas de selo
Arandelas de cierre



GPH4 (Flush)

Not provided
Non fournis
Nicht eingeschlossen.
Non incluse
Não fornecido
No incluido



113dB (A) Max.

Hearing protection required.
Il faut porter des protections auditives.
Gehörschutz wird benötigt.
Indossare cuffie protettive in prossimità del segnalatore acustico.
É necessário usar proteção para os ouvidos.
Es necesaria la protección auditiva.