



► Model 350WBX

Vibratone® Hazardous Location Horn

Model 350WBX (AC current) Vibratone® horn produces sound by electro-mechanical vibration of a stainless steel diaphragm. The horn mechanism with diaphragm is attached to the grille. The water- and dust-tight backbox is ideal for indoor or outdoor use.

The Model 350WBX features a die-cast zinc housing with a corrosion-resistant polyurethane finish. The rugged outer grille resists vandalism without reducing sound output. The 350WBX is fused and utilizes a terminal block connection.

Vibratone horns are excellent for general alarm, start/dismissal, coded paging and process control signaling in areas where their sound output exceeds ambient noise levels. Compact size and a variety of installation options make them ideal for institutional use.

FEATURES

- Available in 120VAC and 240VAC
- Coded or sustained tones
- Produces 100 dBa @ 10' (110 dBa @ 1m)
- Fuse terminal block provided for field wiring
- Surface, flush or semi-flush mounting
- Indoor or outdoor use
- Type 4X enclosure
- UL and cUL Listed for Class I, Division 2; Class II, Division 2; Class III
- CSA Certified

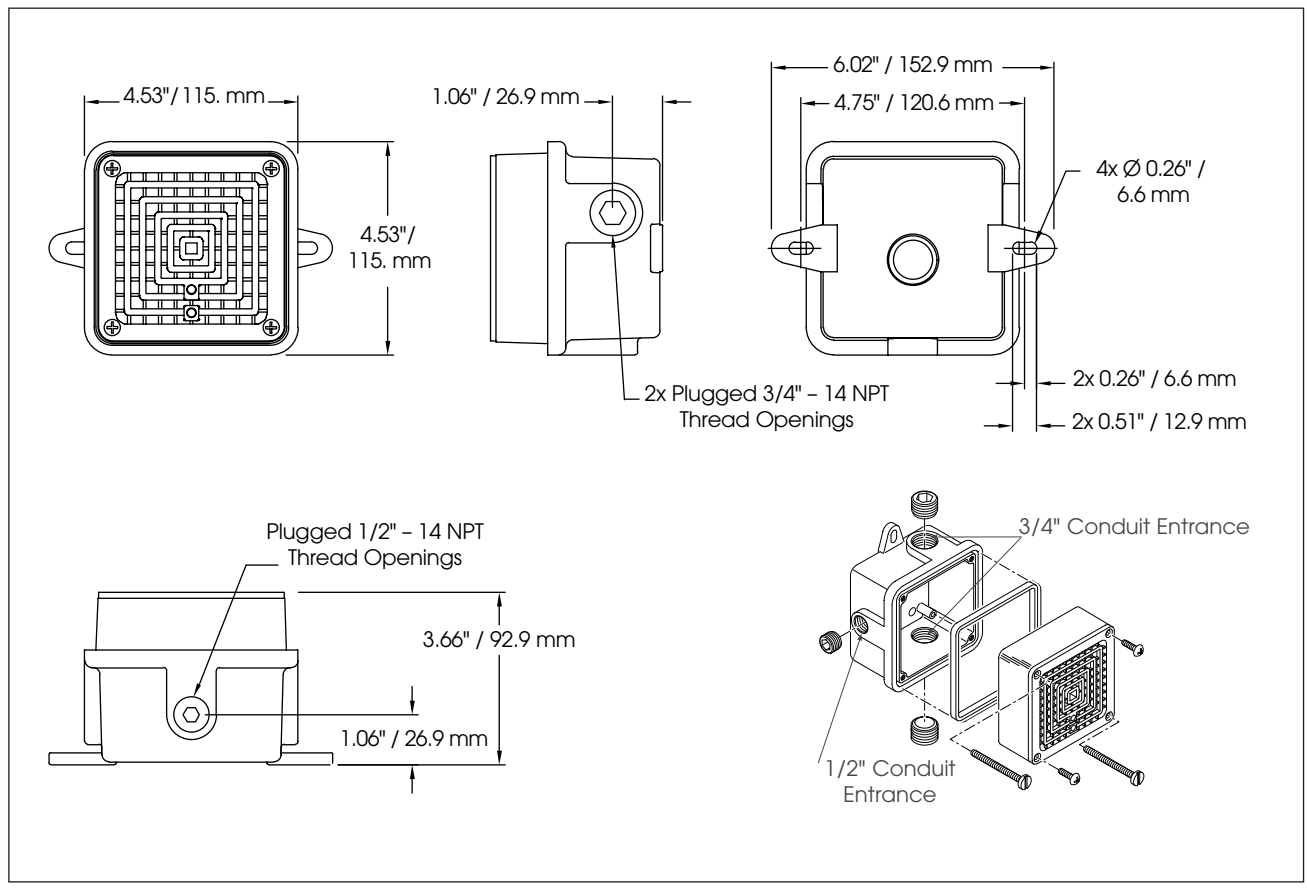
| MODEL | VOLTAGE | OPERATING CURRENT | DECIBELS | |
|-------------------|----------------|-------------------|----------|-----|
| | | | 10' | 1M |
| 350WBX-120 | 120VAC 50/60Hz | 0.18 amps | 100 | 110 |
| 350WBX-240 | 240VAC 50/60Hz | 0.09 amps | 100 | 110 |

HAZARDOUS LOCATION RATING: 350WBX

T-CODE AT MAXIMUM AMBIENT TEMPERATURE, °C

| Hazardous Location | 40°C |
|--|------|
| Class I, Division 2, Groups A, B, C, D | T4 |
| Class II, Division 2, Groups F, G | T4 |
| Class III | T4 |

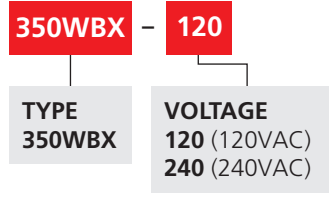
Vibratone® Hazardous Location Horns (350WBX)



SPECIFICATIONS

| | | |
|------------------------|----------------|---------------|
| Operating Temperature: | -65°F to 104°F | -54°C to 40°C |
| Net Weight: | 2.7 lbs | 1.2 kg |
| Shipping Weight: | 2.8 lbs | 1.2 kg |
| Height: | 4.53" | 115 mm |
| Width: | 4.53" | 115 mm |
| Depth: | 3.66" | 92.9 mm |

HOW TO ORDER



REPLACEMENT PARTS

| Description | Part Number |
|--------------------|-------------|
| Volume Control Kit | K8435663B |
| Coil, 120VAC | KFC1516C |
| Coil, 240VAC | KFC1506C |

OPTIONAL ACCESSORIES

| Description | Part Number |
|--|-------------|
| Non-metallic double projector directs sounds to both sides when attached to 350/450E models; ideal for use in hallways; 4" H x 11-1/2" W x 4" D; shipping weight 1 lb (0.45kg) | PR2-NM |

