



AST - 2 PENDANT MOUNT STROBE WARNING LIGHT

APPLICATIONS:

- to visually indicate warnings or hazards in high noise level areas where audible signals may not be heard
- to indicate the starting and stopping of operations in a manufacturing environment
- to indicate faulty equipment

FEATURES:

- solid state power supply
- low power consumption (12 watts)
- intensity 2,000,000 candlepower (peak)
- Polycarbonate fresnel lens
- cast zinc alloy housing with a grey epoxy finish for superior corrosion resistance
- designed for intermittent visual signaling as well as longer duration signaling applications
- flash rate - 60 flashes/minute
- flash tube life - minimum 10 million flashes at 60 flashes/minute
- 3/4" conduit entry
- weatherproof



Made in Canada



Applied Strobe Technology Company Limited
INDUSTRIAL STROBE WARNING LIGHTS

8345 Stanley Avenue, Niagara Falls, Ontario, Canada L2E 6X8 905-374-3077, Fax 905-374-6114
U.S. Address: 2315 Whirlpool St., Suite #182, Niagara Falls, NY 14305
ast@vaxxine.com www.appliedstrobe.com

Temperature Range

-40 C to +85 C

Electrical Ratings

90 to 130 VAC 50/60Hz .118 amps to .095 amps (avg.)
220 to 250 VAC 50/60Hz .065 amps to .058 amps (avg.)
10 to 30 VDC .8 amps to .4 amps (avg.)
90 to 130 VDC .125 amps to .075 amps (avg.)
220 to 250 VDC .070 amps max (avg.)

Ordering Information

Lens Colors

Am - Amber
Bl - Blue
Gr - Green
Re - Red
Cl - Clear

Model No

Input Voltage

AST-2-90130AC	90 - 130 VAC
AST-2-220250AC	220 - 250 VAC
AST-2-1030DC	10 - 30 VDC
AST-2-90130DC	90 - 130 VDC
AST-2-220250DC	220 - 250 VDC

Ordering Example

AST-2-1030DC-RE

Replacement Parts

Circuit Board

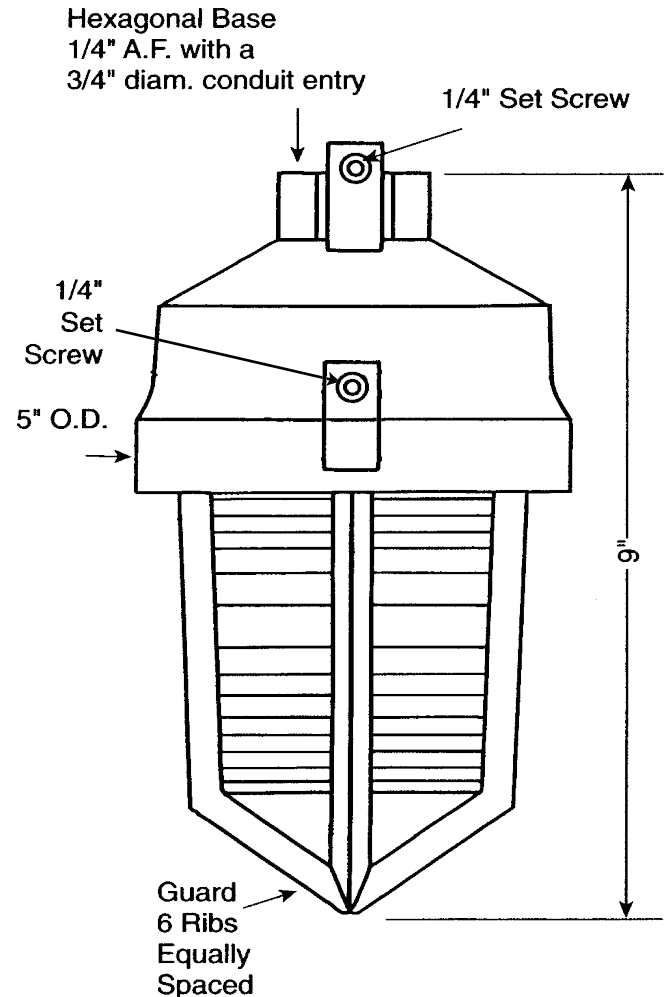
AST-2-90130AC	90 - 130 VAC Circuit Board
AST-2-220250AC	220 - 250 VAC Circuit Board
AST-2-1030DC	10 - 30 VDC Circuit Board
AST-2-90130DC	90 - 130 VDC Circuit Board
AST-2-220250DC	220 - 250 VDC Circuit Board

Flash Tube

AST-FT 3050 Flash Tube

Lenses

AST-2-RE	Red Lens
AST-2-AM	Amber Lens
AST-2-BI	Blue Lens
AST-2-GR	Green Lens
AST-2-CL	Clear Lens



PENDANT MOUNT STROBE