

MS56L Series

56mm Dome Head LED Signal Light (Steady/Flashing)

Description

Eye-catching indicators with long-life Red, Yellow, Green, Blue, or White LEDs.
Compact LED warning light featuring enhanced illumination.
Ideal for use with conveyors and electrical control panels.

- Steady + Flashing Light
- Power: 12, 24V AC/DC or 110V, 220V AC
- M20 nut panel mounting

Safety Caution

※ Always observe rules of "Safety Caution" for safe and correct use of products and for prevention of accident or danger.

※ "Safety Caution" is divided into two categories, i.e., 'caution' and 'warning', details of which read as below.

Warning Possibilities where incorrect use or violation of instructions may result in serious personal injury or even death.

Caution Possibilities where incorrect use or violation of instructions may result in minor personal injury.

※ Meaning of symbols described on products and Instruction Manual is as follows.

▲ is a symbol cautioning that a danger may occur under a particular condition.

Warning

1. Always attach a dual safety device on life or property-affecting devices (e.g., atomic control, medical devices, automotive vehicles, railway vehicles, airplanes, combustion devices, amusement devices or safety devices) before use. (Fire, personal injury, serious property loss may occur.)
2. Do not disassemble or alter the product. Contact us for service related functions including inner inspection and repair. (Fire, electrocution and product damage may occur.)
3. Avoid wiring, inspecting and repairing while power is being supplied. (Electrocution may occur.)
4. Always use rated input voltage, and use a standard electric cord for each product. (Fire and electrocution may occur.)
5. Always check if an electric connection is proper before applying a power source. (Fire, electrocution and product damage may occur.)
6. Avoid using an excessive electricity higher than rated voltage. (Fire and product damage may occur.)
7. Avoid using the product outdoors, at explosion-prone places, at places near inflammable substances, water, combustible substances and vibration. (Fire, electrocution and personal injury may occur.)

Caution

- Do not disassemble, repair, or modify the product, otherwise severe accidents may result, such as electric shocks, damage, fire, or malfunction.
- Do not pull out or push in the cable of the product, otherwise damage may result. Give slack to the cable while wiring.
- Turn off the power to the product before mounting, dismantling, wiring, and assembling the LED unit. Make sure of correct wiring, otherwise electric shocks or fire may result.
- Do not place obstacles obstructing ventilation near product. (Product damage or product deformation may occur due to heat.)
- In case abnormality happens to the product, unplug the input power connection immediately. (There is the danger of fire or product damage.)
- Avoid using at a place of high vibration level. (Product damage may occur.)
- Avoid using water or detergent when cleaning, and clean with dry cloth. (Electrocution may occur.)

※ Exterior look and performances are subject to change without prior notice for improvement of products.

Model No. Configuration

MS56L - F 0 2 - R

1. Function

(No display)	Steady
F	Steady + Flashing

2. Rated Voltage

01	12V AC/DC
02	24V AC/DC
10	110V AC
20	220V AC

3. Lens Color

R	Red	B	Blue
Y	Yellow	C	Clear
G	Green		



Specifications

Operation/Function	Steady, Steady + Flashing
Power Voltage	12V AC/DC, 24V AC/DC, 110V AC, 220V AC
Lens Color	Red, Yellow, Green, Blue, Clear
Material	Lens-PC resin, Base-ABS resin
Lens Diameter	56mm
Vibration	0.75mm at 10-55Hz
Ambient Temperature	-15 to 40°C
Storage Temperature	-20 to 70°C
Ambient Humidity	45-85% RH
Degree of Protection	IP65
Approvals	RoHS
Recommended Wire Size	UL 1007 / 22AWG
Weight	Approx. 66g

Flashing per Minute (±10%)

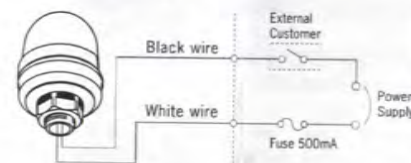
Rated Voltage	AC Power	DC Power
12V	110	60
24V	80	80
110V	80	
220V	80	

Current Consumption (±10%) (Maximum current consumption when LED is lit.)

Rated Voltage	12V AC	24V AC	110V / 220V AC
Current	0.1A	0.12A	0.03A

(Note) 12V, 24V DC Current Consumption: 0.06A

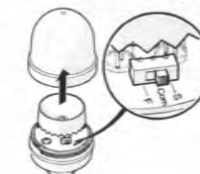
Wiring example



Caution

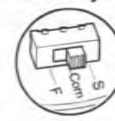
- Before wiring, power supply must be turned off. (There is the danger of electrical shock.)
- Connect the wires as shown below. Incorrect wiring may damage the internal circuit.

Feature setting

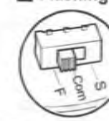


▲ When adjusting operating area while using the display light, do not hold the LED area directly by hand after removing the lens. There is the danger of burn, electric shock or injury.

Steady

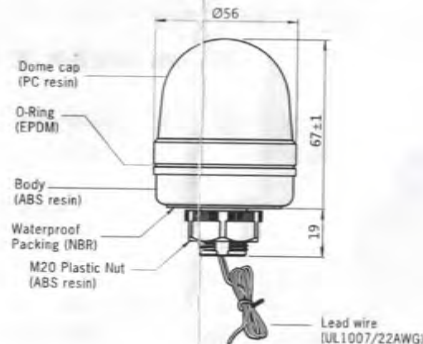


Flashing

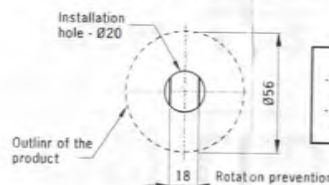


(Note) Products shipped: Steady light setting.

Part name and Dimension (unit: mm)



Installation dimension (unit: mm)



Caution

- this product can be used only indoors. (Do not use it outdoors.)
- Do not leave the product or use it without installed.